



# Product Change Notification

**Change Notification #:** 822613-00

**Change Title:** Intel® Server System M50CYP1UR204,  
PCN 822613-00, Product Design,  
Chassis Update

**Date of Publication:** May 13, 2024

## Key Characteristics of the Change:

Product Design

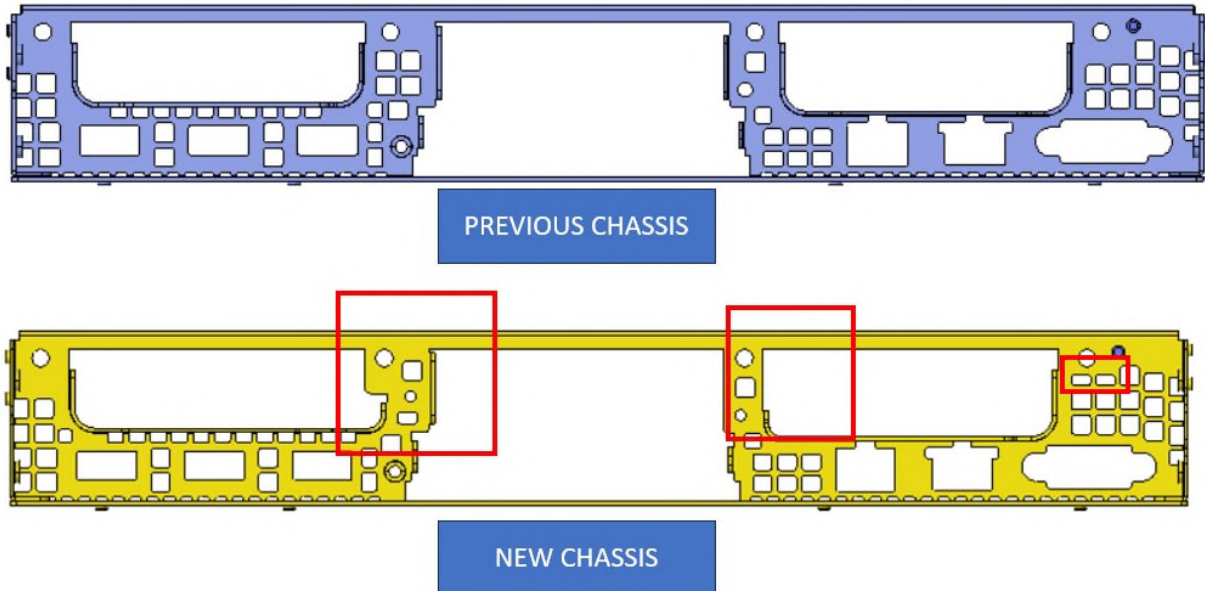
## Forecasted Key Milestones:

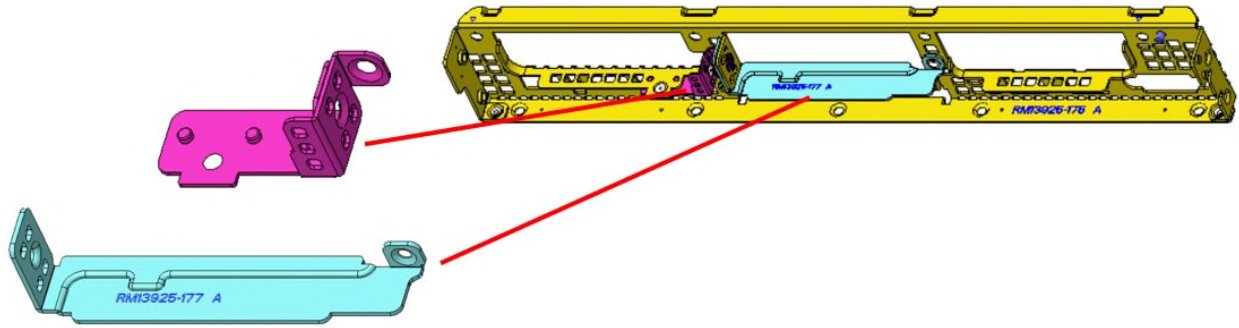
<b>Date Customer Must be Ready to Receive Post-Conversion Material*</b>	May 28, 2024
---	--------------

\* Intel appreciates the customer's desire to receive the latest revision of products. However, Intel manages inventory on a first in first out (FIFO) basis at the MM# level. Subsequently, customer requests for a specific revision of material (below the MM#) will not be supported by Intel.

## Description of Change to the Customer:

Intel is enhancing the rear chassis of 1U M50CYP to better support SFP+ cards, as shown in below images.





**Customer Impact of Change and Recommended Action:**

Intel anticipates no impact to customers. Please contact your local Intel Field Sales Representative if you have any further questions about these changes.

**Products Affected/Intel Ordering Codes:**

Marketing Name	Product Code	MM#	Post Change TA	Post Change PBA
Intel® Server System M50CYP1UR204, Single	M50CYP1UR204	99A3TX	N46469-001	M57662-354

**PCN Revision History:**

**Date of Revision:**  
May 13, 2024

**Revision Number:**  
00

**Reason:**  
Originally Published PCN



# Product Change Notification

## 822613-00

### Notices & Disclaimers

No license (express or implied, by estoppel or otherwise) to any intellectual property rights is granted by this document.

Intel disclaims all express and implied warranties, including without limitation, the implied warranties of merchantability, fitness for a particular purpose, and non-infringement, as well as any warranty arising from course of performance, course of dealing, or usage in trade, except as provided in a separate written agreement.

You may not use or facilitate the use of this document in connection with any infringement or other legal analysis concerning Intel products described herein. You agree to grant Intel a non-exclusive, royalty-free license to any patent claim thereafter drafted which includes the subject matter disclosed herein.

The products described may contain design defects or errors known as errata which may cause the product to deviate from published specifications. Current characterized errata are available on request.

Statements in this document that refer to future plans or expectations are forward-looking statements. These statements are based on current expectations and involve many risks and uncertainties that could cause actual results to differ materially from those expressed or implied in such statements. For more information on the factors that could cause actual results to differ materially, see our most recent earnings release and SEC filings at [www.intc.com](http://www.intc.com).

Customer is responsible for safety of the overall system, including compliance with applicable safety-related requirements or standards.

Intel technologies may require enabled hardware, software or service activation.

No product or component can be absolutely secure.

Your costs and results may vary.

©Intel Corporation. Intel, the Intel logo, and other Intel marks are trademarks of Intel Corporation or its subsidiaries. Other names and brands may be claimed as the property of others.

No response from customers will be deemed an acceptance of the change, and the change will be implemented pursuant to the key milestones set forth in this attached PCN.

Should you have any issues with the timeline or content of this change, please contact the Intel Representative(s) for your geographic location listed below.

**Americas Contact:** [asmo.pcn@intel.com](mailto:asmo.pcn@intel.com)

**Asia Pacific/PRC Contact:** [apacgccb@intel.com](mailto:apacgccb@intel.com)

**Europe Email:** [eccb@intel.com](mailto:eccb@intel.com)

**Japan Email:** [jccb.ijkk@intel.com](mailto:jccb.ijkk@intel.com)