



Product Change Notification

111723 - 00

Information in this document is provided in connection with Intel® products. No license, express or implied, by estoppel or otherwise, to any intellectual property rights is granted by this document. Except as provided in Intel's Terms and Conditions of Sale for such products, Intel assumes no liability whatsoever, and Intel disclaims any express or implied warranty, relating to sale and/or use of Intel products including liability or warranties relating to fitness for a particular purpose, merchantability, or infringement of any patent, copyright or other intellectual property right. Intel products are not intended for use in medical, life saving, or life sustaining applications. Intel may make changes to specifications and product descriptions at any time, without notice.

Should you have any issues with the timeline or content of this change, please contact the Intel Representative(s) for your geographic location listed below. No response from customers will be deemed as acceptance of the change and the change will be implemented pursuant to the key milestones set forth in this attached PCN.

Americas Contact: asmo.pcn@intel.com

Asia Pacific/PRC Contact: apagccb@intel.com

Europe Email: eccb@intel.com

Japan Email: jccb.ijkk@intel.com

Copyright © Intel Corporation 2012. Other names and brands may be claimed as the property of others.

BunnyPeople, Celeron, Celeron Inside, Centrino, Centrino Inside, Cilk, Core Inside, i960, Intel, the Intel logo, Intel AppUp, Intel Atom, Intel Atom Inside, Intel Core, Intel Inside, Intel Insider, the Intel Inside logo, Intel NetBurst, Intel NetMerge, Intel NetStructure, Intel SingleDriver, Intel SpeedStep, Intel Sponsors of Tomorrow, the Intel Sponsors of Tomorrow logo, Intel StrataFlash, Intel vPro, Intel XScale, InTru, the InTru logo, the InTru Inside logo, InTru soundmark, Itanium, Itanium Inside, MCS, MMX, Moblin, Pentium, Pentium Inside, Puma, skool, the skool logo, Sound Mark, The Creators Project, The Journey Inside, Thunderbolt, vPro Inside, VTune, Xeon, and Xeon Inside are trademarks of Intel Corporation in the U.S. and/or other countries.

Learn how to use Intel Trademarks and Brands correctly at <http://www.intel.com/intel/legal/tmusage2.htm>.



Product Change Notification

Change Notification #: 111723 - 00
Change Title: Intel® Server Chassis P4304XXSHCN
PCN 111723-00, Product Design, Label
Updated Printed Circuit Board, Cables, and
Labels
Date of Publication: September 12, 2012

Key Characteristics of the Change:

Product Design

Forecasted Key Milestones:

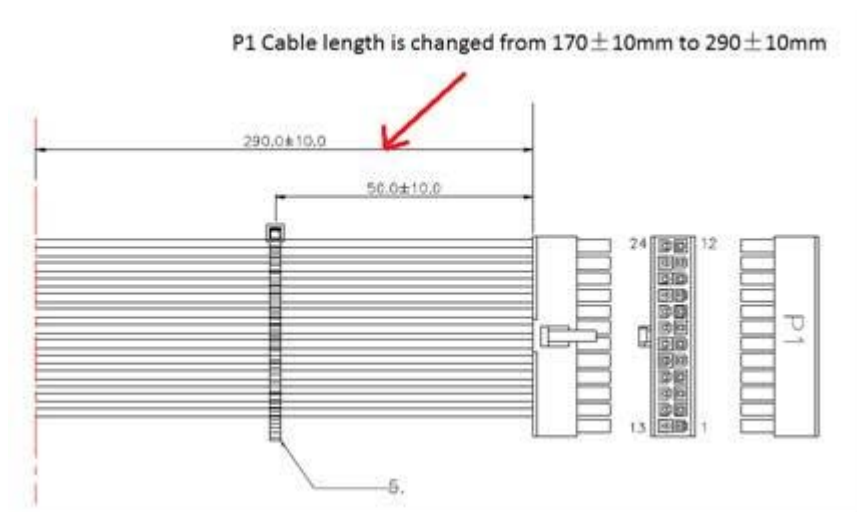
Date Customer Must be Ready to Receive Post-Conversion Material:	Sep 27, 2012
---	--------------

Description of Change to the Customer:

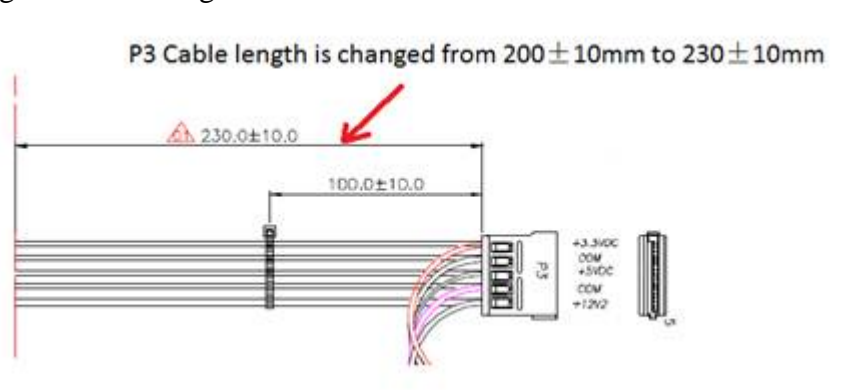
The Front Panel Printed Circuit Board will be updated with the following changes: Nine (9) resistors will be added to pull-up circuits for the “NIC 1/2/3 link” LED, “status” LED, “ID” LED, “HDD” LED and “power” LED in the front panel. This is to allow the Front Panel to meet Intel design guidelines. Customers will not see any functional difference.

The cables on the power supply are being changed to improve serviceability. The following changes will apply:

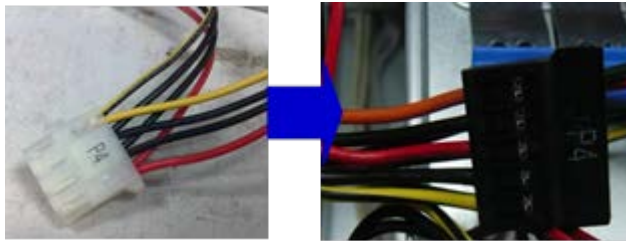
1. Change the cable length of P1 from 170mm to 290mm



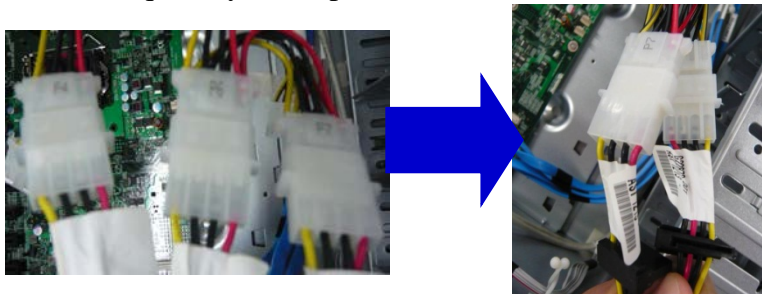
2. Change the cable length of P3 from 200mm to 230mm.



3. Change P4 from 4 pin peripheral connector to 5 pin SATA connector.

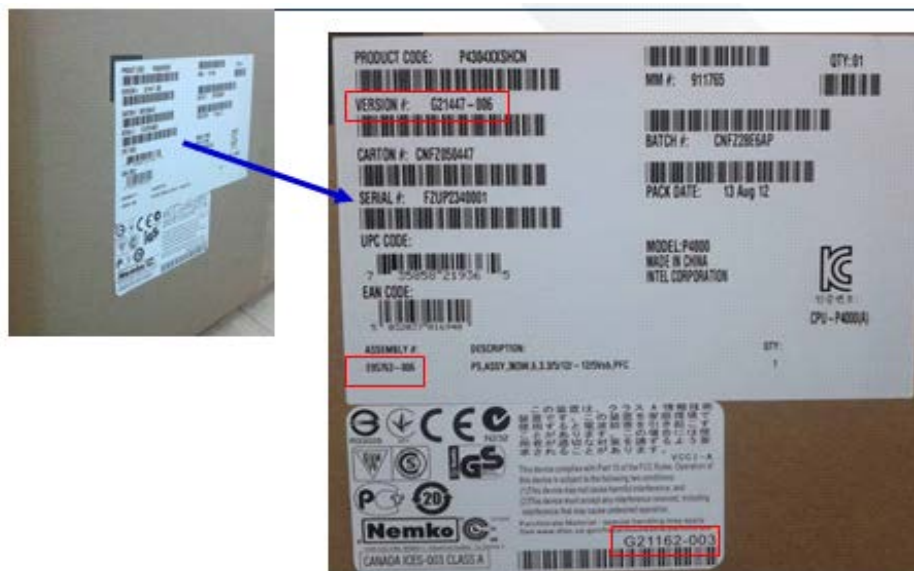


4. Decrease the quantity of adapter cable (G22872-001) from three to two.



The labels on the carton and product are being updated as follows:

1. Change ETL/GS mark to Nemko.
2. Add Ukraine mark.





Customer Impact of Change and Recommended Action:

Intel anticipates no impact to customers; no action is recommended or required.

Products Affected / Intel Ordering Codes:

		Pre Change			Post Change		
Product Code	MM#	TA	Power Supply	PBA	TA	Power Supply	PBA
P4304XXSHCN	911765	G21447-005	E95763-005	G10279-301	G21447-006	E95763-006	G10279-302

PCN Revision History:

Date of Revision:
September 12, 2012

Revision Number:
00

Reason:
Originally Published PCN