



Product Change Notification

107541 - 00

Information in this document is provided in connection with Intel products. No license, express or implied, by estoppel or otherwise, to any intellectual property rights is granted by this document. Except as provided in Intel's Terms and Conditions of Sale for such products, Intel assumes no liability whatsoever, and Intel disclaims any express or implied warranty, relating to sale and/or use of Intel products including liability or warranties relating to fitness for a particular purpose, merchantability, or infringement of any patent, copyright or other intellectual property right. Intel products are not intended for use in medical, life saving, or life sustaining applications. Intel may make changes to specifications and product descriptions at any time, without notice.

Should you have any issues with the timeline or content of this change, please contact the Intel Representative(s) for your geographic location listed below. No response from customers will be deemed as acceptance of the change and the change will be implemented pursuant to the key milestones set forth in this attached PCN.

Americas Contact: asmo.pcn@intel.com

Asia Pacific Contact: apacgccb@intel.com

Europe Email: eccb@intel.com

Japan Email: jccb.ijkk@intel.com

Copyright © Intel Corporation 2007. Other names and brands may be claimed as the property of others.

Celeron, Centrino, Intel, the Intel logo, Intel Core, Intel NetBurst, Intel NetMerge, Intel NetStructure, Intel SingleDriver, Intel SpeedStep, Intel StrataFlash, Intel Viiv, Intel XScale, Itanium, MMX, Paragon, PDCharm, Pentium, and Xeon are trademarks or registered trademarks of Intel Corporation or its subsidiaries in the United States and other countries.

Learn how to use Intel Trade Marks and Brands correctly at <http://www.intel.com/intel/legal/tmusage2.htm>.



Product Change Notification

Change Notification #: 107541 - 00
Change Title: Intel® TXN13600/TXN13610 Tunable Laser Transponder, PCN 107541-00, Product Material
Date of Publication: May 11, 2007

Key Characteristics of the Change:

Product Material

Forecasted Key Milestones:

Date Customer Must be Ready to Receive Post-Conversion Material:	Jun 15, 2007
---	--------------

Description of Change to the Customer:

Intel's component vendor is modifying the fiber boot on the transmit side of the Mach-Zehnder modulator for more robust fiber handling. The change is limited to a transmit side fiber boot length increase of 3 mm. Figure 1 demonstrates the increase in boot length from 15.7 mm to 18.7 mm.

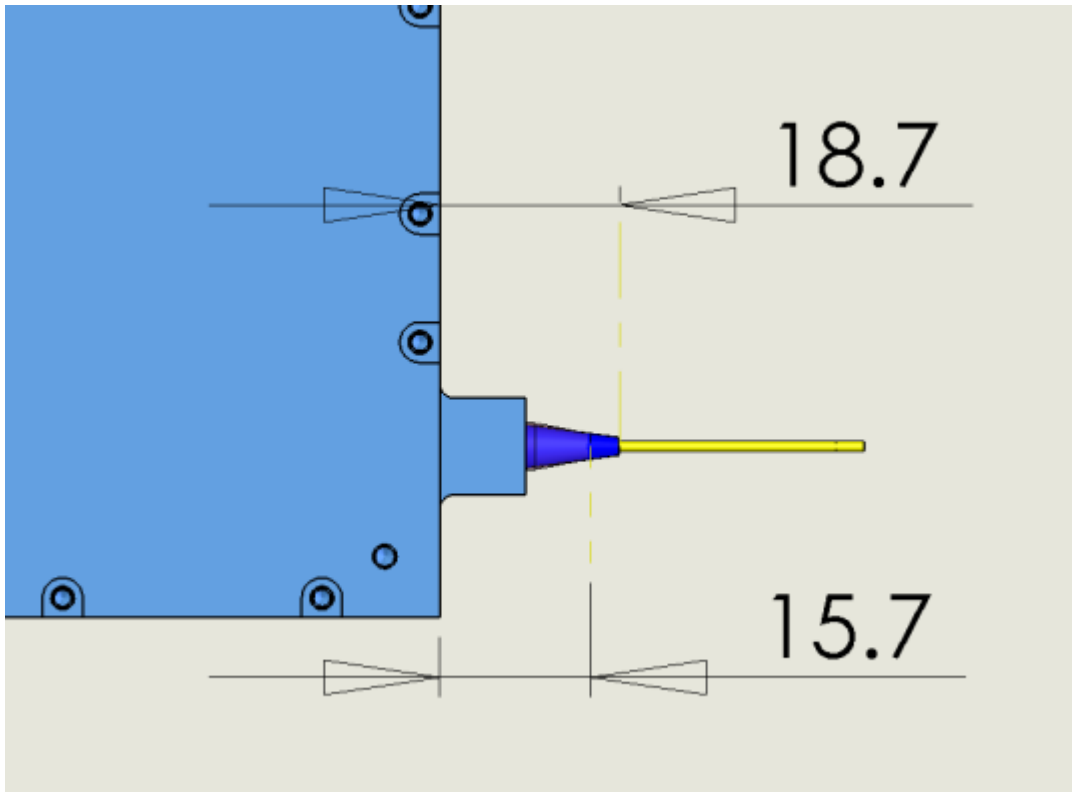


Figure 1: Transmit Boot extension of TXN13600/TXN13610 transponders. The receive side remains unchanged.

No other changes have been made inside the transponder.

Intel has completed fiber integrity tests on the modified boot.

Customer Impact of Change and Recommended Action:

This PCN is for informational changes to the transmit side boot of the transponder. The customer or the customer's contract manufacturer may observe visual changes due to slightly longer boot.

Products Affected / Intel Ordering Codes:

Affected Product Code	Affected MM#
TXN136037E00DS1	877778
TXN136037200DS1	877779
TXN136077E00DS1	883216
TXN136076F00DS3	883686
TXN136077200DS3	884133
TXN1360773AATS3	884135
TXN136077300TS5	884136
TXN1360D7E00DS1	884274
TXN13617AF00DS1	885372
TXN13607B100DS2	890374

Reference Documents / Attachments:

Document:

Location #:

PCN Revision History:

Date of Revision:

May 11, 2007

Revision Number:

00

Reason:

Originally Published PCN