



# Product Change Notification

## 112433 - 00

**INFORMATION IN THIS DOCUMENT IS PROVIDED IN CONNECTION WITH INTEL PRODUCTS. NO LICENSE, EXPRESS OR IMPLIED, BY ESTOPPEL OR OTHERWISE, TO ANY INTELLECTUAL PROPERTY RIGHTS IS GRANTED BY THIS DOCUMENT. EXCEPT AS PROVIDED IN INTEL'S TERMS AND CONDITIONS OF SALE FOR SUCH PRODUCTS, INTEL ASSUMES NO LIABILITY WHATSOEVER AND INTEL DISCLAIMS ANY EXPRESS OR IMPLIED WARRANTY, RELATING TO SALE AND/OR USE OF INTEL PRODUCTS INCLUDING LIABILITY OR WARRANTIES RELATING TO FITNESS FOR A PARTICULAR PURPOSE, MERCHANTABILITY, OR INFRINGEMENT OF ANY PATENT, COPYRIGHT OR OTHER INTELLECTUAL PROPERTY RIGHT.**

**A "Mission Critical Application" is any application in which failure of the Intel Product could result, directly or indirectly, in personal injury or death. SHOULD YOU PURCHASE OR USE INTEL'S PRODUCTS FOR ANY SUCH MISSION CRITICAL APPLICATION, YOU SHALL INDEMNIFY AND HOLD INTEL AND ITS SUBSIDIARIES, SUBCONTRACTORS AND AFFILIATES, AND THE DIRECTORS, OFFICERS, AND EMPLOYEES OF EACH, HARMLESS AGAINST ALL CLAIMS COSTS, DAMAGES, AND EXPENSES AND REASONABLE ATTORNEYS' FEES ARISING OUT OF, DIRECTLY OR INDIRECTLY, ANY CLAIM OF PRODUCT LIABILITY, PERSONAL INJURY, OR DEATH ARISING IN ANY WAY OUT OF SUCH MISSION CRITICAL APPLICATION, WHETHER OR NOT INTEL OR ITS SUBCONTRACTOR WAS NEGLIGENT IN THE DESIGN, MANUFACTURE, OR WARNING OF THE INTEL PRODUCT OR ANY OF ITS PARTS.**

**Intel may make changes to specifications and product descriptions at any time, without notice. Designers must not rely on the absence or characteristics of any features or instructions marked "reserved" or "undefined". Intel reserves these for future definition and shall have no responsibility whatsoever for conflicts or incompatibilities arising from future changes to them. The information here is subject to change without notice. Do not finalize a design with this information.**

**The products described in this document may contain design defects or errors known as errata which may cause the product to deviate from published specifications. Current characterized errata are available on request.**



**Should you have any issues with the timeline or content of this change, please contact the Intel Representative(s) for your geographic location listed below. No response from customers will be deemed as acceptance of the change and the change will be implemented pursuant to the key milestones set forth in this attached PCN.**

**Americas Contact:** [asmo.pcn@intel.com](mailto:asmo.pcn@intel.com)

**Asia Pacific/PRC Contact:** [apacgccb@intel.com](mailto:apacgccb@intel.com)

**Europe Email:** [eccb@intel.com](mailto:eccb@intel.com)

**Japan Email:** [jccb.ijkk@intel.com](mailto:jccb.ijkk@intel.com)

**Copyright © Intel Corporation 2013. Other names and brands may be claimed as the property of others.**

**BunnyPeople, Celeron, Celeron Inside, Centrino, Centrino Inside, Cilk, Core Inside, i960, Intel, the Intel logo, Intel AppUp, Intel Atom, Intel Atom Inside, Intel Core, Intel Inside, Intel Insider, the Intel Inside logo, Intel NetBurst, Intel NetMerge, Intel NetStructure, Intel SingleDriver, Intel SpeedStep, Intel Sponsors of Tomorrow, the Intel Sponsors of Tomorrow logo, Intel StrataFlash, Intel vPro, Intel XScale, InTru, the InTru logo, the InTru Inside logo, InTru soundmark, Itanium, Itanium Inside, MCS, MMX, Moblin, Pentium, Pentium Inside, Puma, skool, the skool logo, Sound Mark, The Creators Project, The Journey Inside, Thunderbolt, vPro Inside, VTune, Xeon, and Xeon Inside are trademarks of Intel Corporation in the U.S. and/or other countries.**

**Learn how to use Intel Trademarks and Brands correctly at <http://www.intel.com/intel/legal/tmusage2.htm>.**



# Product Change Notification

**Change Notification #:** 112433 - 00  
**Change Title:** Intel® Server Chassis P4304XXSFCN  
PCN 112433-00, Product Design, Label  
Update Power Supply Cables, Package  
Regulatory Label with Perchlorate Statement,  
Common Regulatory Label, and Front Panel  
Power Button Tube Material  
**Date of Publication:** July 15, 2013

## Key Characteristics of the Change:

Product Design  
Label

## Forecasted Key Milestones:

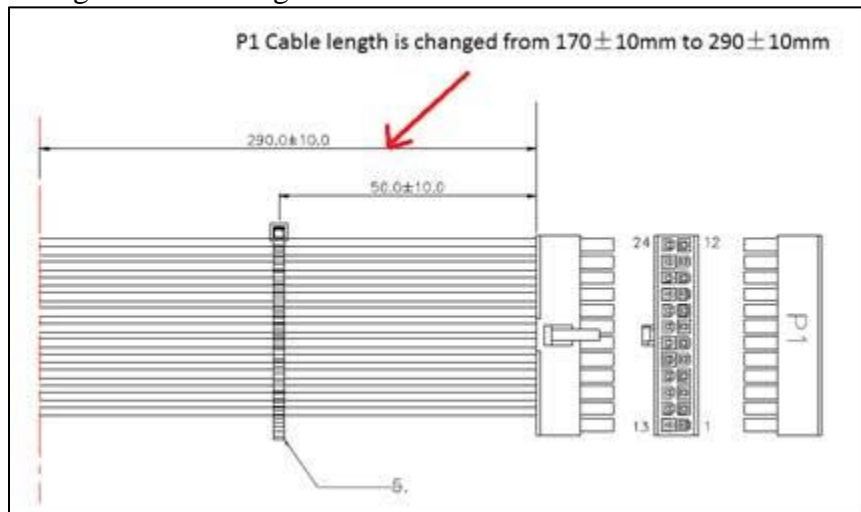
<b>Date Customer Must be Ready to Receive Post-Conversion Material *:</b>	Aug 30, 2013
---	--------------

\* Intel appreciates the customer's desire to receive the latest revision of products. However, Intel manages inventory on a first in first out (FIFO) basis at the MM# level. Subsequently, customer requests for a specific revision of material (below the MM#) will not be supported by Intel.

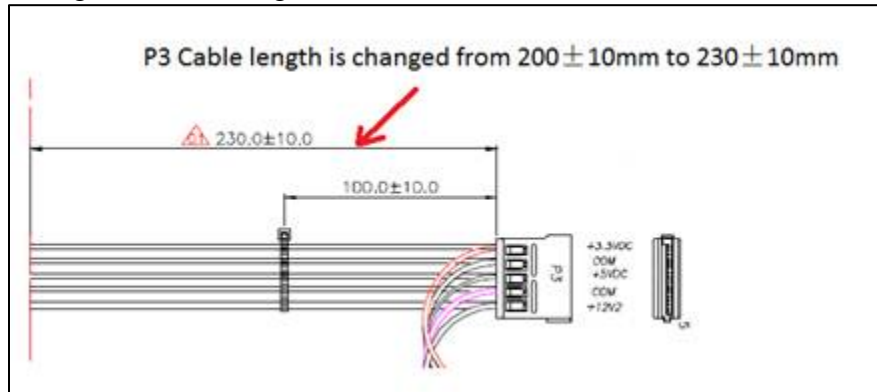
## Description of Change to the Customer:

Intel will implement the following changes on Intel® Server System P4304XXSFCN:

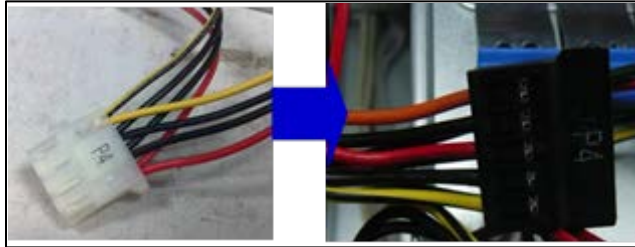
1. The cables on the power supply are being changed from E95763-005 to E95763-006 to improve connect ability. The following changes will apply:
  - a) Change the cable length of P1 from 170mm to 290mm:



- b) Change the cable length of P3 from 200mm to 230mm:



- c) Change P4 from a 4 pin peripheral connector to a 5 pin SATA connector:



- d) Remove one adapter cable G22872-001. This adapter cable is no longer needed due to the Power Supply change shown above.



2. As part of Intel's efforts in environmental responsibility to eliminate excess materials for disposal, Intel will no longer be including the piece of paper with the California PERCHLORATE notification. Instead Intel will be including the California PERCHLORATE notification on an existing safety label. See below picture:



3. Update the common regulatory label from G19891-001 to G19891-004:



Old



New

4. The material of the tube that covers the outside of the power button will be changed from plastic to rubber. The material change will allow the tube to have a stronger dimension tolerance, in order to fit the power button better, while keeping the look and feel nearly unchanged.

**Customer Impact of Change and Recommended Action:**

Intel does not expect impact to customers from these changes, but encourage customers to understand the changes and determine impact to their applications.

**Products Affected / Intel Ordering Codes:**

<b>Product Code</b>	<b>MM#</b>	<b>Pre Change TA</b>	<b>Post Change TA</b>
P4304XXSFCN	911754	G15844-006	G15844-007

**PCN Revision History:**

**Date of Revision:**

July 15, 2013

**Revision Number:**

00

**Reason:**

Originally Published PCN