



Product Change Notification

109275 - 00

Information in this document is provided in connection with Intel products. No license, express or implied, by estoppel or otherwise, to any intellectual property rights is granted by this document. Except as provided in Intel's Terms and Conditions of Sale for such products, Intel assumes no liability whatsoever, and Intel disclaims any express or implied warranty, relating to sale and/or use of Intel products including liability or warranties relating to fitness for a particular purpose, merchantability, or infringement of any patent, copyright or other intellectual property right. Intel products are not intended for use in medical, life saving, or life sustaining applications. Intel may make changes to specifications and product descriptions at any time, without notice.

Should you have any issues with the timeline or content of this change, please contact the Intel Representative(s) for your geographic location listed below. No response from customers will be deemed as acceptance of the change and the change will be implemented pursuant to the key milestones set forth in this attached PCN.

Americas Contact: asmo.pcn@intel.com

Asia Pacific Contact: apacgccb@intel.com

Europe Email: eccb@intel.com

Japan Email: jccb.ijkk@intel.com

Copyright © Intel Corporation 2009. Other names and brands may be claimed as the property of others.

Celeron, Centrino, Intel, the Intel logo, Intel Core, Intel NetBurst, Intel NetMerge, Intel NetStructure, Intel SingleDriver, Intel SpeedStep, Intel StrataFlash, Intel Viiv, Intel XScale, Itanium, MMX, Paragon, PDCharm, Pentium, and Xeon are trademarks or registered trademarks of Intel Corporation or its subsidiaries in the United States and other countries.

Learn how to use Intel Trade Marks and Brands correctly at <http://www.intel.com/intel/legal/tmusage2.htm>.



Product Change Notification

Change Notification #: 109275 - 00
Change Title: Alternate Reel Supplier for Quad Flat Pack(QFP) Packaged Demodulator Product, PCN 109275-00, Transport Media
Date of Publication: March 18, 2009

Key Characteristics of the Change:

Transport Media

Forecasted Key Milestones:

| | |
|---|--------------|
| Date Customer Must be Ready to Receive Post-Conversion Material: | Mar 23, 2009 |
|---|--------------|

Description of Change to the Customer:

In order to ensure a continuous supply of the products listed in the Products Affected table below, Intel has qualified an additional supplier of reels for QFP packaged product finished in China and shipped in reels. Testing has been completed to ensure the following.

- No reduction in material or electrical properties
- Dimensions ensure interchangeability
- Peel back, bend and twist test meets expectations
- Sealing check
- Drop test

Customer Impact of Change and Recommended Action:

While the reels looks slightly different - minor changes in the shape of the apertures and slight changes in the dimensions (see attached drawings), Intel anticipates no impact to the form, fit, or function of the reel. Both of the reels are interchangeable with Surface Mount Technology (SMT) equipment and no modification is required to utilize the new reel on SMT set ups established for the current reel. Customers may see product shipped in either reel going forward and should be prepared to accept both as qualified product.

Products Affected / Intel Ordering Codes:

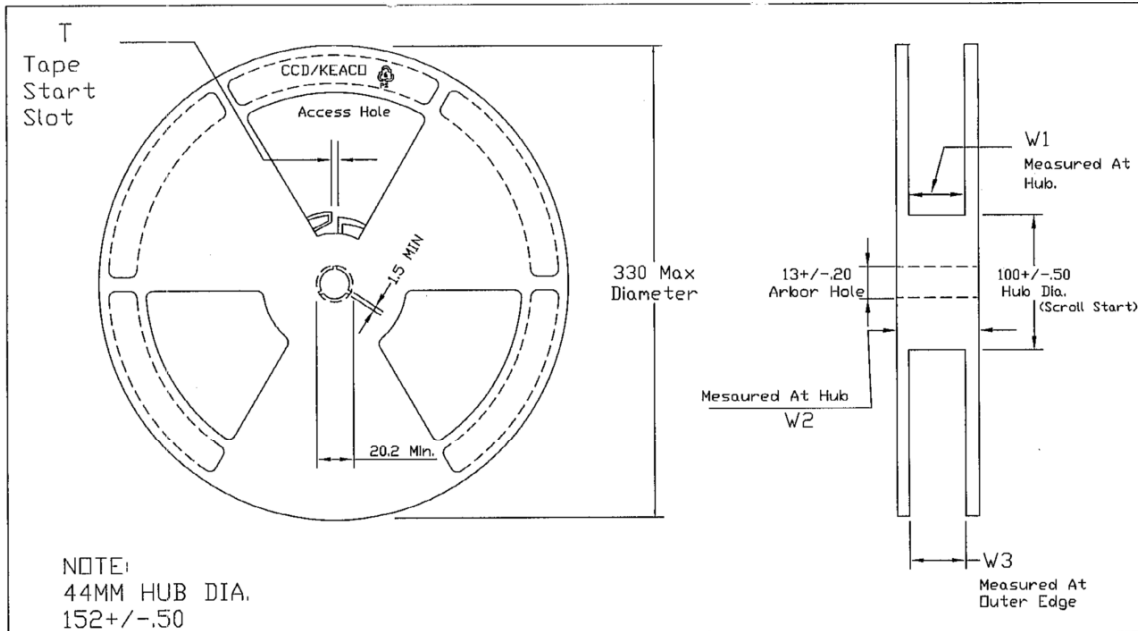
| Affected Product Code | Affected S-Spec | Affected MM# |
|-----------------------|-----------------|--------------|
| WJCE6353 | S L9G5 | 882170 |
| WJCE6355 | S L9G7 | 882212 |
| WJCE6210 | | 882214 |
| WJCE6230 | S LA34 | 888059 |
| WJCE6231 | S LA35 | 888061 |
| WJCE6250 | S LA36 | 888093 |
| WJCE6251 | S LA66 | 888887 |

Reference Documents / Attachments:

Document:

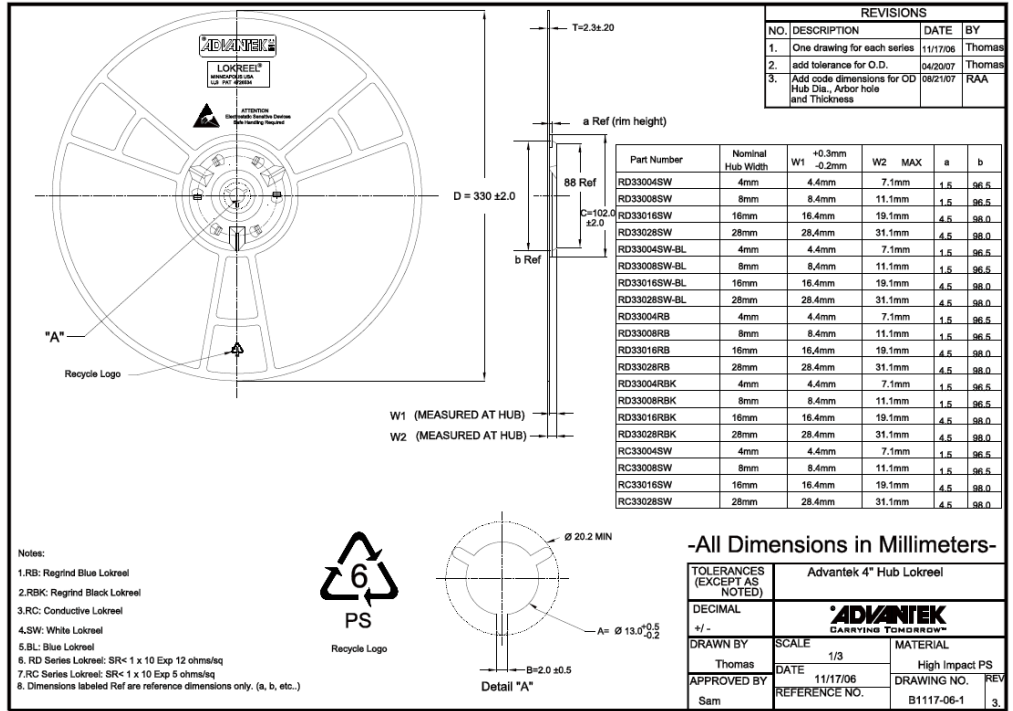
Location #:

Current Reel



| | | | | | CCD/KEACO | | | |
|------------|--------------|-------------------|----------|--------------------|-----------|----------------------|-------------------------|-----------------------|
| TAPE WIDTH | T | W1 | W2 | W3 | PART NO. | 13" (330MM) SMD REEL | | |
| 16MM | 7 +/- .50 | 16.4+2.0 -0.0 | 22.4 MAX | 15.9MIN 19.4MAX | 91984-3S | SCALE NO SCALE | APPROVED BY L.K.DING | REV R1 |
| 24MM | 7 +/- .50 | 24.4+2.0 -0.0 | 30.4 MAX | 23.9MIN 27.4MAX | 91984-4S | DATE 15-07-95 | DRAWN BY MK | DRAWING NO 91984-5 |
| 32MM | 10 +/- .50 | 32.40+2.0 -0.0 | 38.4 MAX | 31.9MIN 35.4MAX | 91984-5S | | | REV R1 |
| 44MM | 10 +/- .50 | 44.4+2.0 -0.0 | 51.0 MAX | 44.0MIN 48.0MAX | 91984-6S | | | |
| 56MM | 10/7 +/- .50 | 56.9+2.0 -0.0 | 63.0 MAX | 55.9MIN 59.9MAX | 91984-7S | | | |

New Reel



PCN Revision History:

Date of Revision:

March 18, 2009

Revision Number:

00

Reason:

Originally Published PCN