



# Product Change Notification

## 106627 - 00

Information in this document is provided in connection with Intel products. No license, express or implied, by estoppel or otherwise, to any intellectual property rights is granted by this document. Except as provided in Intel's Terms and Conditions of Sale for such products, Intel assumes no liability whatsoever, and Intel disclaims any express or implied warranty, relating to sale and/or use of Intel products including liability or warranties relating to fitness for a particular purpose, merchantability, or infringement of any patent, copyright or other intellectual property right. Intel products are not intended for use in medical, life saving, or life sustaining applications. Intel may make changes to specifications and product descriptions at any time, without notice.

Should you have any issues with the timeline or content of this change, please contact the Intel Representative(s) for your geographic location listed below. No response from customers will be deemed as acceptance of the change and the change will be implemented pursuant to the key milestones set forth in this attached PCN.

**Americas Contact:** [asmo.pcn@intel.com](mailto:asmo.pcn@intel.com)

**Asia Pacific Contact:** [apacgccb@intel.com](mailto:apacgccb@intel.com)

**Europe Email:** [eccb@intel.com](mailto:eccb@intel.com)

**Japan Email:** [jcb.ijkk@intel.com](mailto:jcb.ijkk@intel.com)

Copyright © Intel Corporation 2006. Other names and brands may be claimed as the property of others.

Celeron, Centrino, Intel, the Intel logo, Intel Core, Intel NetBurst, Intel NetMerge, Intel NetStructure, Intel SingleDriver, Intel SpeedStep, Intel StrataFlash, Intel Viiv, Intel XScale, Itanium, MMX, Paragon, PDCharm, Pentium, and Xeon are trademarks or registered trademarks of Intel Corporation or its subsidiaries in the United States and other countries.

Learn how to use Intel Trade Marks and Brands correctly at <http://www.intel.com/intel/legal/tmusage2.htm>.



# Product Change Notification

**Change Notification #:** 106627 - 00  
**Change Title:** Intel® Tunable Laser, TTX11500, PCN  
106627-00, Product Material, Laser  
Submount Diode Change and Top Assembly  
Number  
**Date of Publication:** August 02, 2006

## Key Characteristics of the Change:

Product Material  
Top Assembly Number

## Forecasted Key Milestones:

<b>Date Customer Must be Ready to Receive Post-Conversion Material:</b>	Sep 02, 2006
---	--------------

## Description of Change to the Customer:

The laser diode submount contained within the laser butterfly package will be changed on the TTX1150 product line. The new submount (known as the "unibone") will reduce the overall number of parts and wirebonds, and the submount material will be changed from Silicone Carbide (SiC) to Aluminum Nitride (AlN). Please refer to figure 1 for a drawing of the two submount changes.

## Customer Impact of Change and Recommended Action:

No change in product form, fit or function is expected as a result of these changes - this change is considered for your information only (FYI). The units built with the product changes covered in this document will be identified by a new Top Assembly part number.

## Products Affected / Intel Ordering Codes:

### System Products Table

Affected Product Code	Affected MM#	Pre-Top Assembly Number	Post-Top Assembly Number
TTX115075900NCO	877188	C80118-004	C80118-005
TTX1150759AANC0	877189	C81197-003	C81197-004

## Reference Documents / Attachments:

**Document:** **Location #:**

## PCN Revision History:

**Date of Revision:**

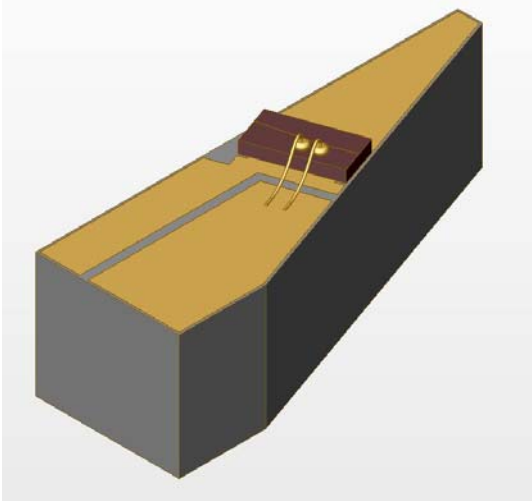
August 2, 2006

**Revision Number:**

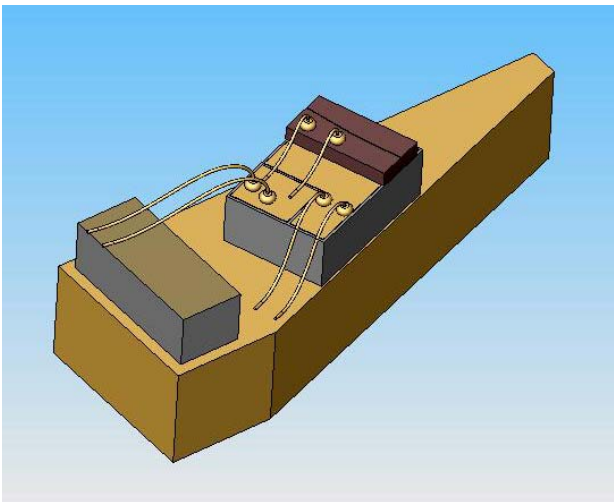
00

**Reason:**

Originally Published PCN



“Unibone” – New submount



Current submount