



Product Change Notification

109420 - 00

Information in this document is provided in connection with Intel products. No license, express or implied, by estoppel or otherwise, to any intellectual property rights is granted by this document. Except as provided in Intel's Terms and Conditions of Sale for such products, Intel assumes no liability whatsoever, and Intel disclaims any express or implied warranty, relating to sale and/or use of Intel products including liability or warranties relating to fitness for a particular purpose, merchantability, or infringement of any patent, copyright or other intellectual property right. Intel products are not intended for use in medical, life saving, or life sustaining applications. Intel may make changes to specifications and product descriptions at any time, without notice.

Should you have any issues with the timeline or content of this change, please contact the Intel Representative(s) for your geographic location listed below. No response from customers will be deemed as acceptance of the change and the change will be implemented pursuant to the key milestones set forth in this attached PCN.

Americas Contact: <mailto:asmo.pcn@intel.com>

Asia Pacific Contact: <mailto:apacgccb@intel.com>

Europe Email: <mailto:eccb@intel.com>

Japan Email: <mailto:jccb.ijkk@intel.com>

Copyright © Intel Corporation 2009. Other names and brands may be claimed as the property of others.

Celeron, Centrino, Intel, the Intel logo, Intel Core, Intel NetBurst, Intel NetMerge, Intel NetStructure, Intel SingleDriver, Intel SpeedStep, Intel StrataFlash, Intel Viiv, Intel XScale, Itanium, MMX, Paragon, PDCharm, Pentium, and Xeon are trademarks or registered trademarks of Intel Corporation or its subsidiaries in the United States and other countries.

Learn how to use Intel Trade Marks and Brands correctly at <http://www.intel.com/intel/legal/tmusage2.htm>.



Product Change Notification

Change Notification #: 109420 - 00
Change Title: D945GSEJT, PCN 109420-00, Product Material, Low-profile SATA power solution.
Date of Publication: June 08, 2009

Key Characteristics of the Change:

Product Material

Forecasted Key Milestones:

| | |
|---|--------------|
| Date Customer Must be Ready to Receive Post-Conversion Material: | Jul 03, 2009 |
|---|--------------|

Description of Change to the Customer:

Low-profile SATA power solution, as described in Attention Flyer bundled with E57850-300 and E57851-300 shipments (see pages 3-4).

Customer Impact of Change and Recommended Action:

This change has been thoroughly evaluated to ensure that there are no quality, reliability, or functional implications to our customers. Intel is not recommending additional qualification of these changes on desktop boards received from Intel.

Products Affected / Intel Ordering Codes:

| Pre Change Product Code | Pre Change MM# | Pre Change AA | Post Change Product Code | Post Change MM# | Post Change AA |
|-------------------------|----------------|---------------|--------------------------|-----------------|----------------|
| BLKD945GSEJT | 900959 | E57850-300 | BLKD945GSEJT | 900959 | E57850-400 |
| LAD945GSEJT | 900998 | E57851-300 | LAD945GSEJT | 900998 | E57851-400 |

Reference Documents / Attachments:

Document: Attention Flyer (E63501-002)

Location: See pages 3 and 4 of this PCN.

PCN Revision History:

Date of Revision:

June 8, 2009

Revision Number:

00

Reason:

Originally Published PCN

ATTENTION

Upcoming Change of SATA Power Connectivity Solution

The Intel® Desktop Board D945GSEJT provides a SATA power solution comprised of an internal SATA power header as well as a bundled power cable, enabling storage devices to be powered directly from the motherboard.

While the implementation delivered through initial product shipments enables dual 15-pin SATA power connectivity, Intel is improving the solution with a low-profile cable and interconnection flexibility. With the improved SATA power solution customers will be able to more easily take advantage of D945GSEJT's thinness and associated usage models, such as powering slim optical drives or other system components.¹

The improved SATA power solution is expected to go into manufacturing by the middle of June 2009.

Specifications

Initial shipments of the Intel® Desktop Board D945GSEJT will enable SATA power connectivity via the following:

- Onboard SATA power header: female-gender 1x4 connector, as shown in Figure 1

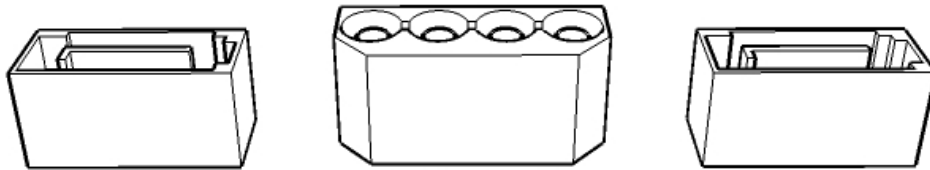


Figure 1: SATA power header used for initial D945GSEJT shipments

- Bundled SATA "Y" power cable, as described below and shown in Figure 2:
 - vertical/male-gender 1x4 connector for board connectivity
 - dual 15-pin SATA connectors for 2.5"/3.5" HDD and 5¼" ODD power connectivity
 - length: 450mm

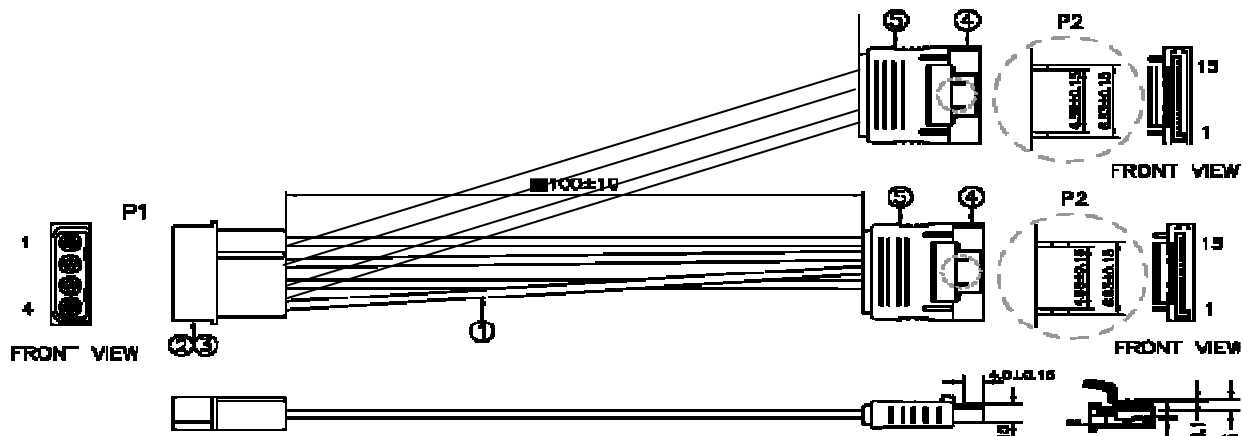


Figure 2: SATA power cable bundled with initial D945GSEJT shipments

The improved SATA power solution for Intel® Desktop Board D945GSEJT will enable SATA power connectivity via the following:

- Onboard SATA power header: **male-gender** 1x4 connector, as shown in Figure 3

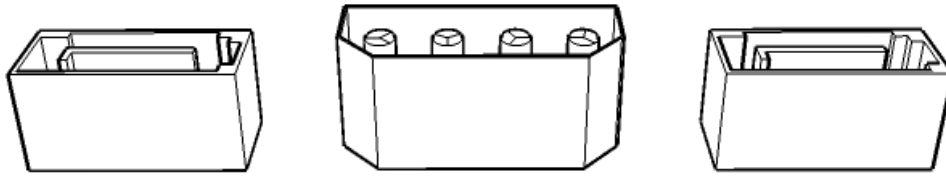


Figure 3: SATA power header to be used in upcoming D945GSEJT shipments

- Bundled SATA **"in-line"** power cable, as described below and shown in Figure 4:
 - **right-angled/female-gender** 1x4 connector for low-profile board connectivity
 - **female-gender 1x4** and **single 15-pin SATA** connectors for storage device and system component power flexibility
 - length: **400mm**

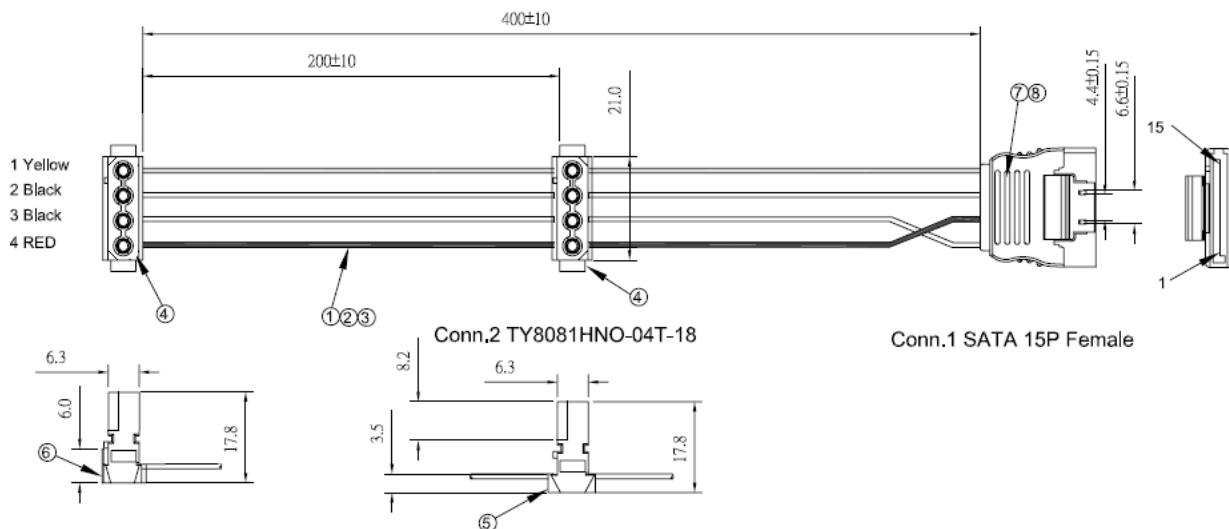


Figure 4: SATA power cable to be bundled with upcoming D945GSEJT shipments

Note:

- 1 Widely available ("off-the-shelf") cable adapter(s) may be necessary.

Intel is a trademark of Intel Corporation in the U.S. and other countries.

*Other names and brands may be claimed as the property of others.

Copyright © 2009, Intel Corporation

E63501-002

