



Product Change Notification

110881 - 01

Information in this document is provided in connection with Intel® products. No license, express or implied, by estoppel or otherwise, to any intellectual property rights is granted by this document. Except as provided in Intel's Terms and Conditions of Sale for such products, Intel assumes no liability whatsoever, and Intel disclaims any express or implied warranty, relating to sale and/or use of Intel products including liability or warranties relating to fitness for a particular purpose, merchantability, or infringement of any patent, copyright or other intellectual property right. Intel products are not intended for use in medical, life saving, or life sustaining applications. Intel may make changes to specifications and product descriptions at any time, without notice.

Should you have any issues with the timeline or content of this change, please contact the Intel Representative(s) for your geographic location listed below. No response from customers will be deemed as acceptance of the change and the change will be implemented pursuant to the key milestones set forth in this attached PCN.

Americas Contact: asmo.pcn@intel.com

Asia Pacific Contact: apacgccb@intel.com

Europe Email: eccb@intel.com

Japan Email: jccb.ijkk@intel.com

Copyright © Intel Corporation 2011. Other names and brands may be claimed as the property of others.

BunnyPeople, Celeron, Celeron Inside, Centrino, Centrino Inside, Cilk, Core Inside, i960, Intel, the Intel logo, Intel AppUp, Intel Atom, Intel Atom Inside, Intel Core, Intel Inside, Intel Insider, the Intel Inside logo, Intel NetBurst, Intel NetMerge, Intel NetStructure, Intel SingleDriver, Intel SpeedStep, Intel Sponsors of Tomorrow, the Intel Sponsors of Tomorrow logo, Intel StrataFlash, Intel vPro, Intel XScale, InTru, the InTru logo, the InTru Inside logo, InTru soundmark, Itanium, Itanium Inside, MCS, MMX, Moblin, Pentium, Pentium Inside, Puma, skool, the skool logo, Sound Mark, The Creators Project, The Journey Inside, Thunderbolt, vPro Inside, VTune, Xeon, and Xeon Inside are trademarks of Intel Corporation in the U.S. and/or other countries.

Learn how to use Intel Trademarks and Brands correctly at <http://www.intel.com/intel/legal/tmusage2.htm>.



Product Change Notification

Change Notification #: 110881 - 01
Change Title: Intel® Desktop Board DP67BG, Boxed and Bulk
PCN 110881-01, Product Material
Resume TI 1394 controller IC, CPU socket cover change and load plate material change
Reason for Revision: Add CPU Socket Cover change and revised milestone
Date of Publication: September 22, 2011

Key Characteristics of the Change:
Product Material

Forecasted Key Milestones:

Date Customer Must be Ready to Receive Post-Conversion Material:	Oct 03, 2011
---	--------------

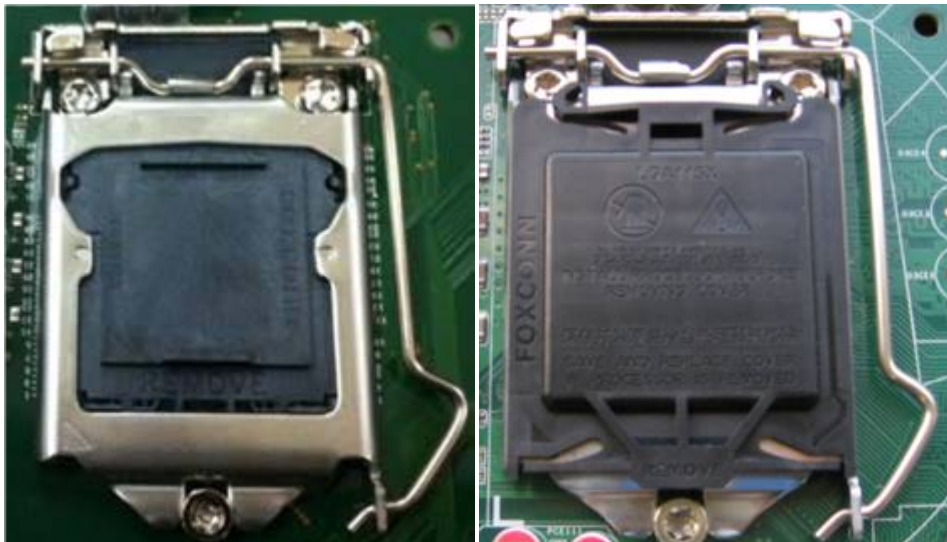
Description of Change to the Customer:

Reason for Revision: Add CPU Socket Cover change and revised milestone

1. The DP67BGB3 product will be resuming the use of the TI 1394 controller IC from the alternate supply (as indicated in PCN 110643) now that global limitations of the silicon have been resolved.
2. The CPU socket cover will be changed to the ILM version as below:

Current socket with PNP cover

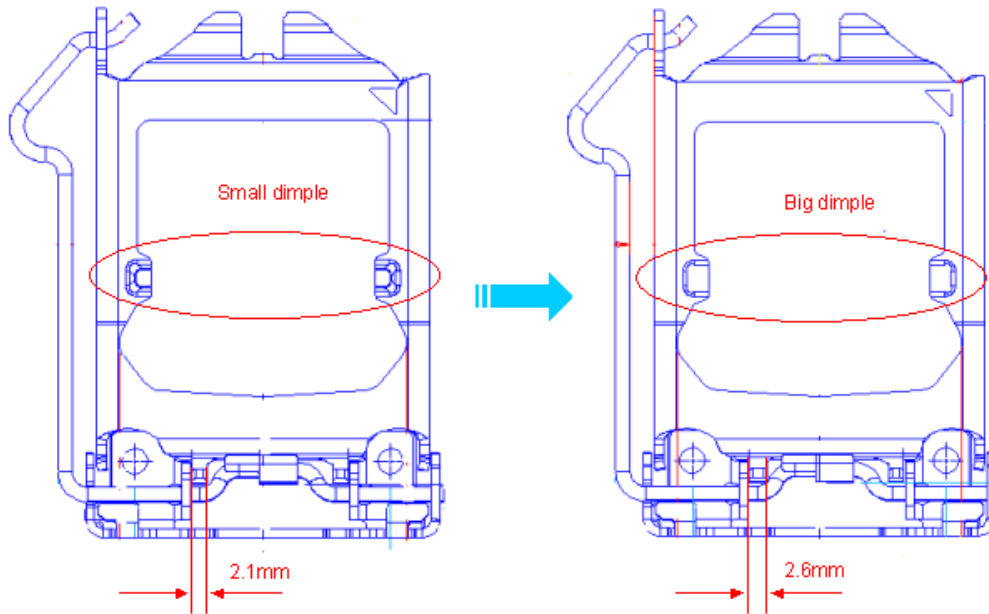
New socket with ILM cover



3. The CPU socket ILM load plate material change to anti-corrosion treatment, dimple size change & LP right alignment feature width change to improve testing CPU life span. Change as below:

Current load plate

New load plate



4. Socket insulator change to Halogen free.

Customer Impact of Change and Recommended Action:

Customers who were impacted by the alternate 1394 controller and received the message "New device detected" may no longer see this message.

If the operating system reports a "New device detected", Microsoft* Windows will display a message and automatically install the necessary drivers.

This change has been thoroughly evaluated to ensure that there are no quality, reliability or functional implications to our customers. Intel is not recommending additional qualification of these changes on platforms received from Intel. Intel will be shipping mixed inventory until supply stabilizes. This will be an impact to customers but will allow for a continuous supply.

Milestone dates are estimates and subject to change based on business and operational conditions.

Products Affected / Intel Ordering Codes:

Product Code	MM#	Pre Change AA	Post Change AA
BOXDP67BGB3	915077	G10491-306	G10491-307
BLKDP67BGB3	915078	G10491-306	G10491-307

PCN Revision History:

Date of Revision:

July 29, 2011

September 22, 2011

Revision Number:

00

01

Reason:

Originally Published PCN

Add CPU Socket Cover change
and revised milestone