



Product Change Notification

108448 - 01

Information in this document is provided in connection with Intel products. No license, express or implied, by estoppel or otherwise, to any intellectual property rights is granted by this document. Except as provided in Intel's Terms and Conditions of Sale for such products, Intel assumes no liability whatsoever, and Intel disclaims any express or implied warranty, relating to sale and/or use of Intel products including liability or warranties relating to fitness for a particular purpose, merchantability, or infringement of any patent, copyright or other intellectual property right. Intel products are not intended for use in medical, life saving, or life sustaining applications. Intel may make changes to specifications and product descriptions at any time, without notice.

Should you have any issues with the timeline or content of this change, please contact the Intel Representative(s) for your geographic location listed below. No response from customers will be deemed as acceptance of the change and the change will be implemented pursuant to the key milestones set forth in this attached PCN.

Americas Contact: asmo.pcn@intel.com

Asia Pacific Contact: apacgccb@intel.com

Europe Email: eccb@intel.com

Japan Email: jcb.ijkk@intel.com

Copyright © Intel Corporation 2008. Other names and brands may be claimed as the property of others.

Celeron, Centrino, Intel, the Intel logo, Intel Core, Intel NetBurst, Intel NetMerge, Intel NetStructure, Intel SingleDriver, Intel SpeedStep, Intel StrataFlash, Intel Viiv, Intel XScale, Itanium, MMX, Paragon, PDCharm, Pentium, and Xeon are trademarks or registered trademarks of Intel Corporation or its subsidiaries in the United States and other countries.

Learn how to use Intel Trade Marks and Brands correctly at <http://www.intel.com/intel/legal/tmusage2.htm>.



Product Change Notification

Change Notification #: 108448 - 01
Change Title: Intel® IP Network Server NSW1U, PCN 108448-01, Product Discontinuance, Product Code Discontinuance and Replacement Announcement, Reason for Revision: Correct BMC and FRUSDR versions, add CD Mounting Kit
Date of Publication: May 23, 2008

Key Characteristics of the Change:

Product Discontinuance

Forecasted Key Milestones:

Orders for Discontinued Products Become Non-Cancelable:	Jun 21, 2008
Product Discontinuance Demand To Local Intel Representative:	Jun 21, 2008
Last Product Discontinuance Order Date:	Jul 19, 2008
Last Product Discontinuance Shipment Date:	Dec 20, 2008
Last Product Return Date:	Jun 21, 2008
Availability Date for Product Discontinuance Replacement Product (If Applicable):	Apr 18, 2008

Description of Change to the Customer:

Reason for Revision: Correct BMC and FRUSDR versions, add CD Mounting Kit

Intel today is updating the Intel® IP Network Server NSW1U to include new system SKUs which add support for the Intel® Xeon® Model 5400 series processors based on 45nm technology. The new system SKUs will continue support of the Intel® Xeon® Model 5100 series CPUs.

With this update, MCPD will be changing product codes of the affected Intel® IP Network Server NSW1U to allow customers to more easily identify which products support the new 45 nm-based processors. Changing product codes may lead customers to assume that there is a large departure in functionality, however; Intel views the changes as minor with low risk. The updated products are expected to be fully backwards compatible with a few functionality enhancements.

With the release of these new Intel® IP Network Server NSWIU product codes, the prior product codes are to become EOL. Intel is announcing the replacement of the prior product code/MM#'s of the Intel® IP Network Server NSWIU. Intel is providing two (2) months to place final orders and five (5) months to take the final delivery.

- a. This product discontinuance notification is effective May 9, 2008.
- b. Final date for cancelable purchase orders for the affected products must be placed by June 21, 2008.
- c. Orders which are on the books on June 21, 2008 will become Non-Cancelable, Non-Returnable (NCNR).
- d. Final non-cancelable purchase orders for the affected products must be placed by July 19, 2008 (Final Day To Place Orders)
- e. The final shipment must specify a customer request date (CRD) no later than December 20, 2008 (Final Day To Take Delivery of Orders)

Final Forecasts:

Intel requires final customer forecast on or before June 21, 2008. Any orders in excess of this final forecast are subject to availability.

Final Orders:

Intel encourages customers to place their final orders early, as additional customer demand may cause lead times to push out. Intel will use reasonable commercial means to fulfill orders, but may not be able to accept additional orders (over forecast) after June 21, 2008.

Migration Path:

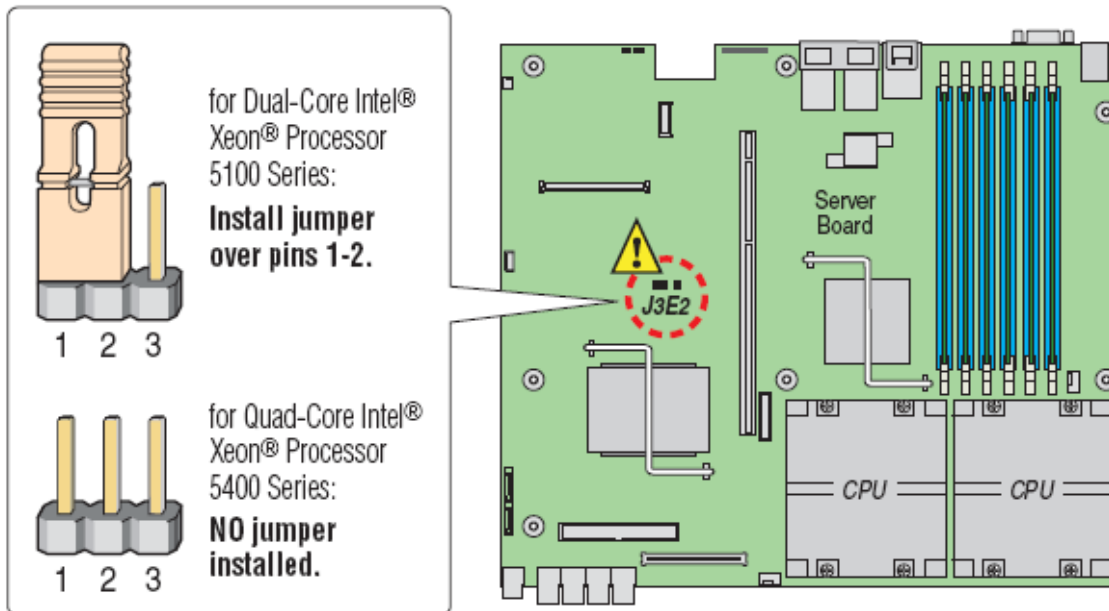
Intel recommends the TMRA0201W (which is already in production) as the replacement product for the current TMWA0201W. Intel recommends the TMRD0201W (which is already in production) as the replacement product for the current TMWD0201W.

The following changes are also incorporated in the NSRA0201W, NSRD0201W, and NSRA0401W products:

1. Added CPU Select Jumper to select processor type.

The server ships pre-configured for the Dual-Core Intel® Xeon® processor 5100 series. To use a Quad-Core Intel® Xeon® processor 5400 series, you must remove the processor jumper from pins 1-2 on the processor jumper. This jumper is located at position J3E2 on the server board. See the following figure.

Note: Do not place the jumper on pins 2-3, as this will cause the system to be unstable.



2. Changed base chassis to enable use of AXXBASICRAIL, AXXBASRAIL13, or AXXHERAIL (in non-NEBS environment). Change added:
 - a. Two new positions (A in figure 1 below) per side to add 4 Hex Shoulder Screws.
 - b. Additional position (C and D in figure 1 below) for attaching rail and mounting ear.

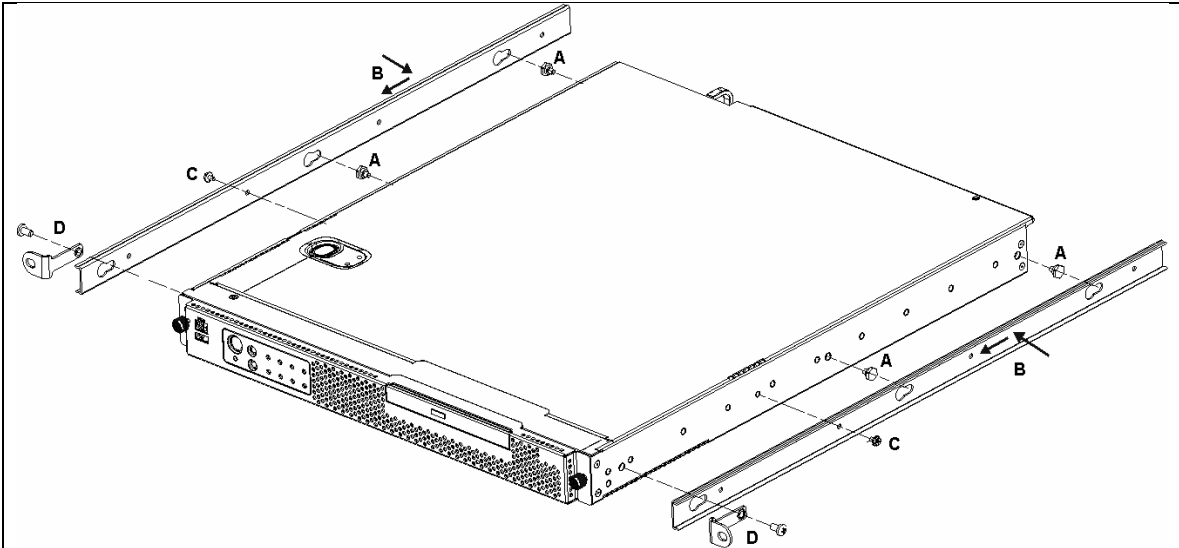


Figure 1. Sheet Metal Changes to add Rail Kit Support

3. Changed GCM NIC port to add notch for better clearance when module is installed.



Figure 2. GCM NIC port sheet metal change.

3. Changed Captive Screw type on PCI riser, as shown in Figure 3.

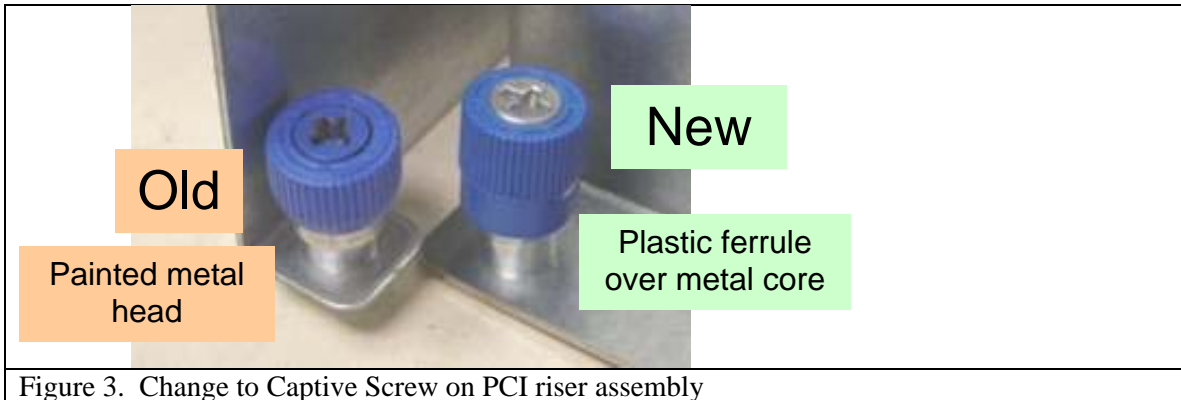


Figure 3. Change to Captive Screw on PCI riser assembly

4. Changed insulator material between boards and chassis, and on PCI support bracket from Formex* to Statex*. Added additional adhesive to improve adhesion at higher temperature.
5. Upgraded firmware to BIOS 85, BMC 19, FRUSDR 16.

NOTE: Do not use any BIOS lower than BIOS 85 with this server. Changing to a lower version may cause the server to fail to operate. It is recommended that customers review the latest SUP (Software Update Package) on support.intel.com.

6. The manufacturing site has changed, and is reflected by a change in country of origin from Malaysia to China and the first 2 digits of the serial number changed from CF to AZ.
7. Add CD Mounting kit, shown in Figure 4. Mounting kit contains:
 - a. Interposer
 - b. IDE cable
 - c. Power cable
 - d. Mounting screws
 - e. Mounting bracket



Figure 4. CD Mounting Kit.

Customer Impact of Change and Recommended Action:

To support the release of the 45nm Intel(R) Xeon(R) Processors and to ease customer transition to this new generation of processors, Intel "refreshed" (new product codes and new MM#'s) all its current products based on the Intel(R) 5000 Series MCH.

Besides the required VR/Vtt changes to support the new processors, the entire SW stack (BIOS, BMC, FRUSDR) will also change. The Closed Loop Thermal Throttling (CLTT) feature is also being added to the Refresh Products. Customers are must upgrade their SW stack to the latest released versions although the new HW is considered to be "backwards compatible" for maintenance and older processor support.

Note: Customers are reminded to place their final orders with Intel for the affected products latest by July 19, 2008. Final delivery of product must also be completed no later than December 20, 2008.

These changes have been tested and passed a validation cycle on the Intel® IP Network Server NSW1U.

For the changes listed above:

1. Customer should use the jumper to select the correct CPU type.
2. Customer should evaluate additional rack mount options.
3. Additional ease of assembly when using GCM port.
4. Customer should appreciate better adhesion.
5. Customer should update to the latest SUP package, and validate those changes.
6. Customer should be aware of the change of manufacturing site and country of origin.
7. Customer no longer needs to order TMWCDRMC01W accessory to mount an optical device in NSW1U for the NSRA0201A and NSRD0201W Product Codes.

Products Affected / Intel Ordering Codes:

Product Code	Pre Change Affected MM#	Recommended Replacement Product Code	Recommended Replacement MM#
NSWA0201W	885432	NSRA0201W	893630
NSWD0201W	885433	NSRD0201W	893657
NSWA0301W	885501	NSRA0401W	896112
NSWA0401W	888296	NSRA0401W	896112

PCN Revision History:

Date of Revision:	Revision Number:	Reason:
May 12, 2008	00	Originally Published PCN
May 23, 2008	01	Correct BMC and FRUSDR versions, add CD Mounting Kit.