



Product Change Notification

112322 - 00

INFORMATION IN THIS DOCUMENT IS PROVIDED IN CONNECTION WITH INTEL PRODUCTS. NO LICENSE, EXPRESS OR IMPLIED, BY ESTOPPEL OR OTHERWISE, TO ANY INTELLECTUAL PROPERTY RIGHTS IS GRANTED BY THIS DOCUMENT. EXCEPT AS PROVIDED IN INTEL'S TERMS AND CONDITIONS OF SALE FOR SUCH PRODUCTS, INTEL ASSUMES NO LIABILITY WHATSOEVER AND INTEL DISCLAIMS ANY EXPRESS OR IMPLIED WARRANTY, RELATING TO SALE AND/OR USE OF INTEL PRODUCTS INCLUDING LIABILITY OR WARRANTIES RELATING TO FITNESS FOR A PARTICULAR PURPOSE, MERCHANTABILITY, OR INFRINGEMENT OF ANY PATENT, COPYRIGHT OR OTHER INTELLECTUAL PROPERTY RIGHT.

A "Mission Critical Application" is any application in which failure of the Intel Product could result, directly or indirectly, in personal injury or death. SHOULD YOU PURCHASE OR USE INTEL'S PRODUCTS FOR ANY SUCH MISSION CRITICAL APPLICATION, YOU SHALL INDEMNIFY AND HOLD INTEL AND ITS SUBSIDIARIES, SUBCONTRACTORS AND AFFILIATES, AND THE DIRECTORS, OFFICERS, AND EMPLOYEES OF EACH, HARMLESS AGAINST ALL CLAIMS COSTS, DAMAGES, AND EXPENSES AND REASONABLE ATTORNEYS' FEES ARISING OUT OF, DIRECTLY OR INDIRECTLY, ANY CLAIM OF PRODUCT LIABILITY, PERSONAL INJURY, OR DEATH ARISING IN ANY WAY OUT OF SUCH MISSION CRITICAL APPLICATION, WHETHER OR NOT INTEL OR ITS SUBCONTRACTOR WAS NEGLIGENT IN THE DESIGN, MANUFACTURE, OR WARNING OF THE INTEL PRODUCT OR ANY OF ITS PARTS.

Intel may make changes to specifications and product descriptions at any time, without notice. Designers must not rely on the absence or characteristics of any features or instructions marked "reserved" or "undefined". Intel reserves these for future definition and shall have no responsibility whatsoever for conflicts or incompatibilities arising from future changes to them. The information here is subject to change without notice. Do not finalize a design with this information.

The products described in this document may contain design defects or errors known as errata which may cause the product to deviate from published specifications. Current characterized errata are available on request.

Should you have any issues with the timeline or content of this change, please contact the Intel Representative(s) for your geographic location listed below. No response from customers will be deemed as acceptance of the change and the change will be implemented pursuant to the key milestones set forth in this attached PCN.

Americas Contact: asmo.pcn@intel.com

Asia Pacific/PRC Contact: apacgccb@intel.com

Europe Email: eccb@intel.com

Japan Email: jccb.ijkk@intel.com

Copyright © Intel Corporation 2013. Other names and brands may be claimed as the property of others.

BunnyPeople, Celeron, Celeron Inside, Centrino, Centrino Inside, Cilk, Core Inside, i960, Intel, the Intel logo, Intel AppUp, Intel Atom, Intel Atom Inside, Intel Core, Intel Inside, Intel Insider, the Intel Inside logo, Intel NetBurst, Intel NetMerge, Intel NetStructure, Intel SingleDriver, Intel SpeedStep, Intel Sponsors of Tomorrow, the Intel Sponsors of Tomorrow logo, Intel StrataFlash, Intel vPro, Intel XScale, InTru, the InTru logo, the InTru Inside logo, InTru soundmark, Itanium, Itanium Inside, MCS, MMX, Moblin, Pentium, Pentium Inside, Puma, skool, the skool logo, Sound Mark, The Creators Project, The Journey Inside, Thunderbolt, vPro Inside, VTune, Xeon, and Xeon Inside are trademarks of Intel Corporation in the U.S. and/or other countries.

Learn how to use Intel Trademarks and Brands correctly at <http://www.intel.com/intel/legal/tmusage2.htm>.



Product Change Notification

Change Notification #: 112322 - 00
Change Title: Intel® Workstation System P4304CR2LFGN
PCN 112322-00, Product Design
Update Printed Board Assembly,
BIOS/ME/BMC/FRUSDR Firmware,
GP/GPU Cable and Quick Reference Guide
Date of Publication: May 31, 2013

Key Characteristics of the Change:
Product Design

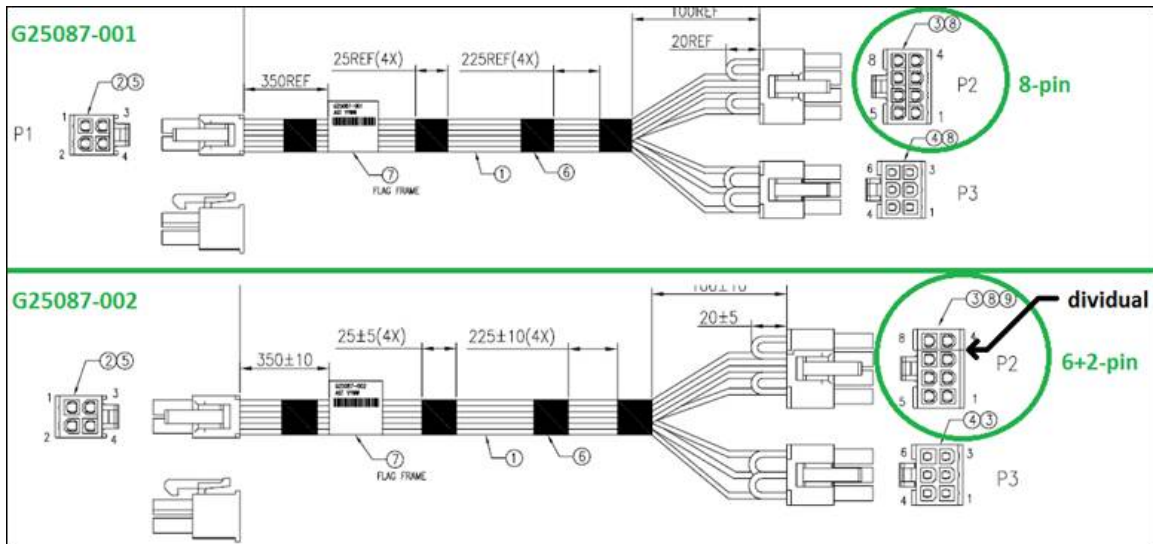
Forecasted Key Milestones:

Date Customer Must be Ready to Receive Post-Conversion Material:	Jun 30, 2013
---	--------------

Description of Change to the Customer:

Intel will implement the following changes on Intel® Server System P4304CR2LFGN:

1. The GP/GPU power cable will be updated from G25087-001 to G25087-002, please refer to below picture for the detailed change.



2. The server board Printed Board Assembly (PBA) revision will be updated from G21602-302 to G21602-303.
 - a) Update the BIOS from revision 01.02.2005 to 01.03.0002.
 - b) Update the Manageability Engine (ME) firmware from revision 02.01.05.091 to 02.01.05.107.
 - c) Update the Integrated Baseboard Management Controller (BMC) firmware from revision 1.00.2812 to 1.10.3560.
 - d) Update the FRUSDR from revision 1.03 to 1.08.

3. The RAID Quick Reference Guide will be updated from revision -003 to revision -004.

Customer Impact of Change and Recommended Action:

Intel recommends that the customer perform a standard level of evaluation. Customers can download and evaluate the latest software package at <http://www.intel.com/support>, when available.

Products Affected / Intel Ordering Codes:

Product Code	MM#	Pre Change TA	Pre Change PBA	Post Change TA	Post Change PBA
P4304CR2LFGN	916048	G36872-002	G21602-302	G36872-003	G21602-303

PCN Revision History:

Date of Revision:
May 31, 2013

Revision Number:
00

Reason:
Originally Published PCN